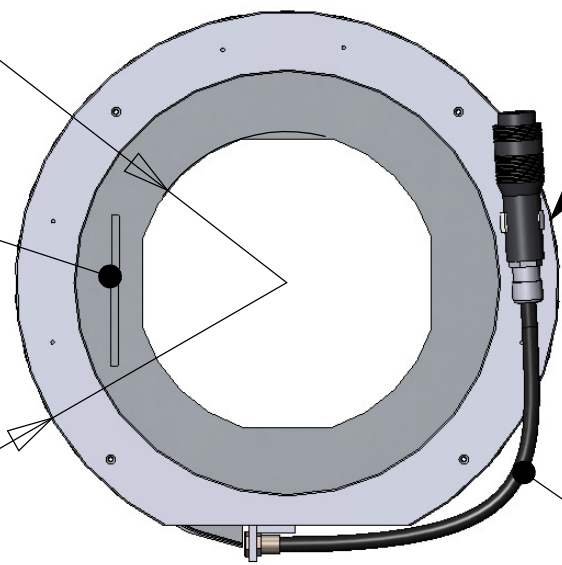


Splice protection

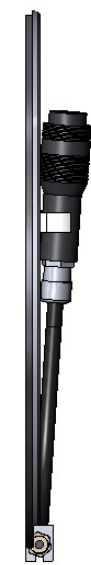
(R100)

Fixture for mirror housing


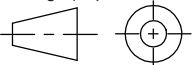


(R179)

Steel cable



Please note: maximum bend radius of cable during operation is 350 mm

UNLESS OTHERWISE SPECIFIED: DIMENSIONS ARE IN MILLIMETERS SURFACE FINISH: TOLERANCES: ISO 2768-fH LINEAR: ANGULAR:			FINISH:		DEBUR AND BREAK SHARP EDGES		DO NOT SCALE DRAWING		REVISION		
							NKT Photonics A/S		 Photonics Blokken 84 DK-3460 Birkerød		
DRAWN			NAME		SIGNATURE		DATE		TITLE:		
CHK'D			MDE				Nov.09		PA100 Assembly		
APPV'D									DWG NO.		A4
Projection: first angle projection									MATERIAL:		
									Aluminium		
									WEIGHT:		1.5 kg
									SCALE:1:5		SHEET 1 OF 1